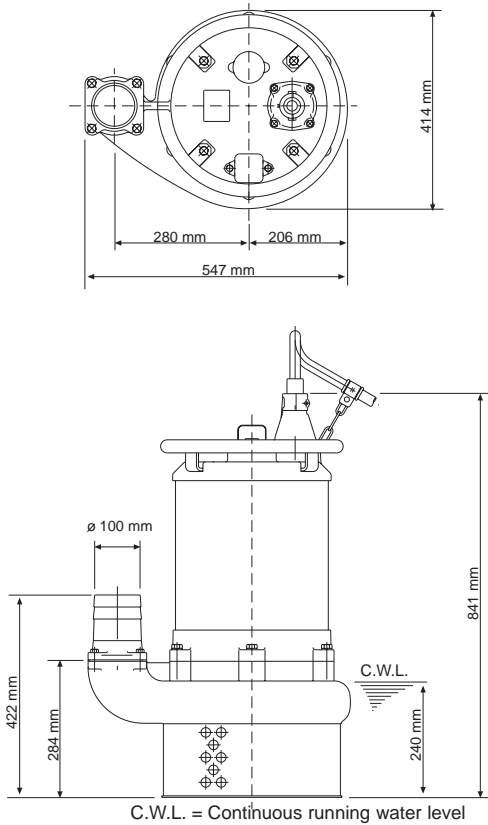
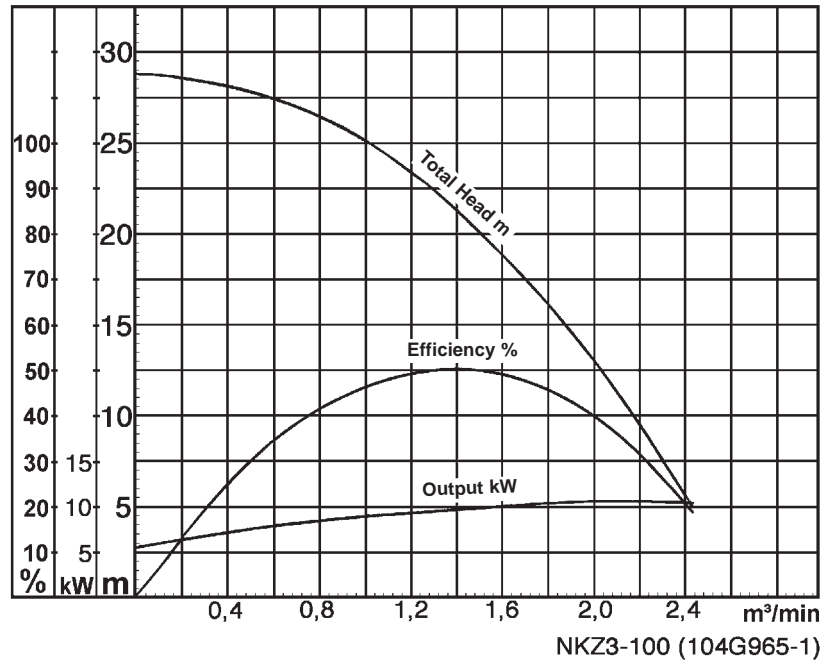


# Data Sheet NKZ3-100H



NKZ3-100H



NKZ3-100 (104G965-1)

## Classification

Electric submersible pump  
 Protection class IP68  
 Depth of submersion max. 30m  
 Open type impeller with Agitator  
 Max. solid handling 20mm  
 Suitable for sludge, slurry, liquids containing sandy mud and bentonite

## Electric Motor

Dry-type submersible induction motor,  
 Insulation class B, 4 poles, 1450 r.p.m.  
 Direct on line start  
 Voltage: 400V, 50Hz, 3-phase  
 Power input: 13,2kW  
 Power output: 11,0kW  
 Nominal current: 22,0A  
 Start current: 155,0A

## Electric Cable

20m H07RN-F 4Cx4mm<sup>2</sup>

## Motor Protection

Circle thermal protector  
 (snap-action bi-metal device)

## Shaft Seal

Double mechanical seal in oil bath  
 additional lubrication by oil lifting device  
 Primary Seal:  
 silicon carbide on silicon carbide  
 Secondary Seal:  
 silicon carbide on silicon carbide

## Bearings

Shielded ball bearings, maintenance-free

## Materials

Impeller:	Chromium iron casting
Agitator:	FCD700 (EN-GJS-700-2)
Casing:	FC200 (EN-GJL-200)
Suction Plate:	FCD700 (EN-GJS-700-2)
Motor frame:	FC150 (EN-GJL-150)
Shaft:	SUS420J2 (EN X30Cr13)

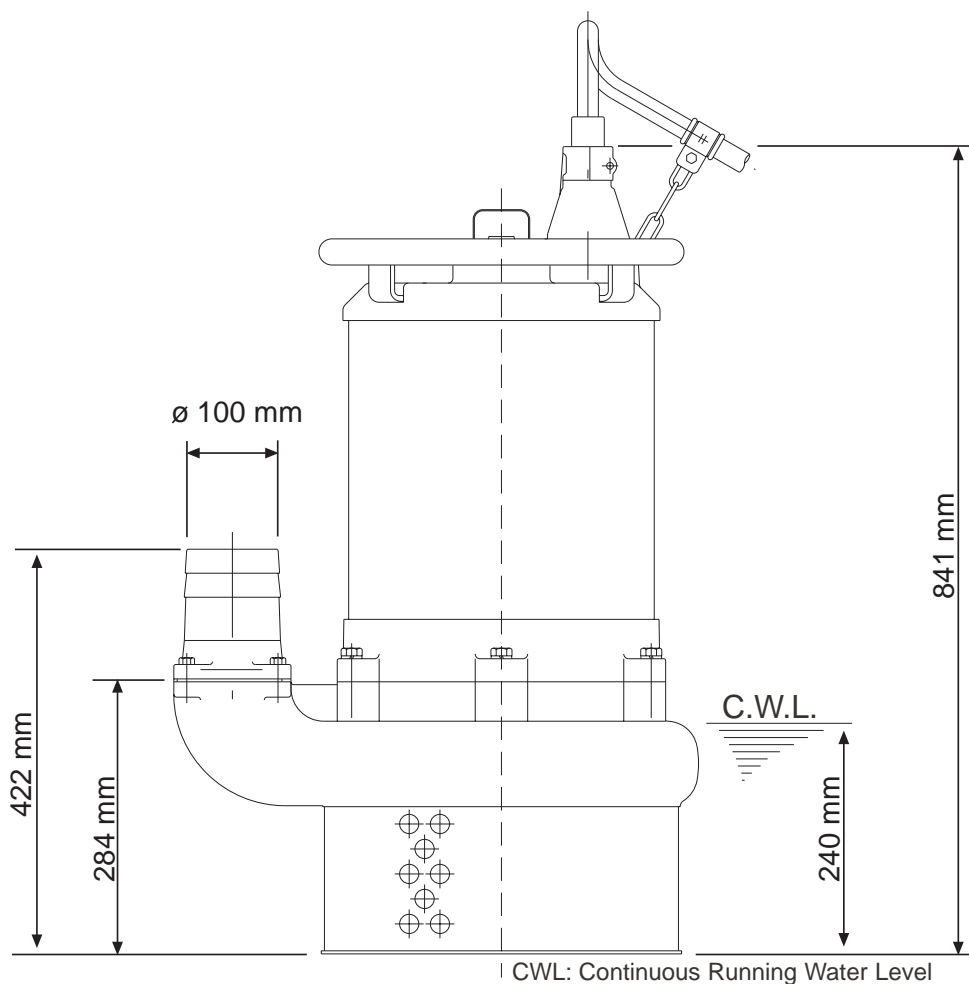
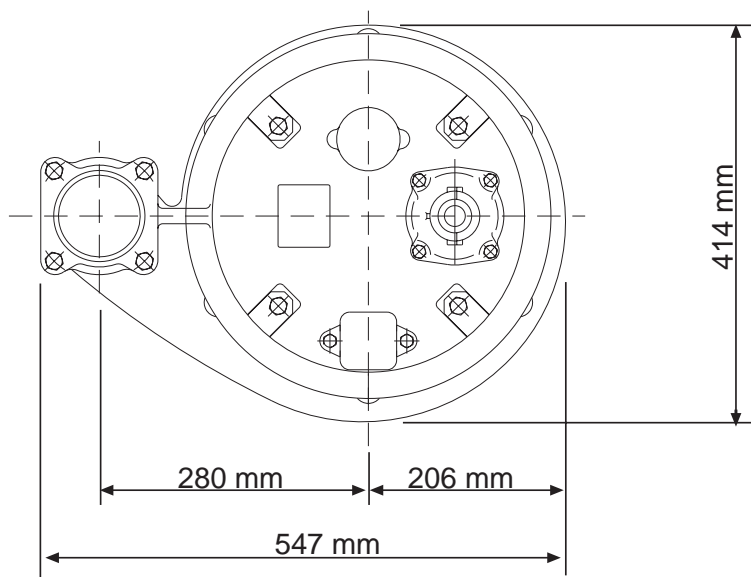
## Discharge Connection

4" (100mm) hose coupling

## Weight

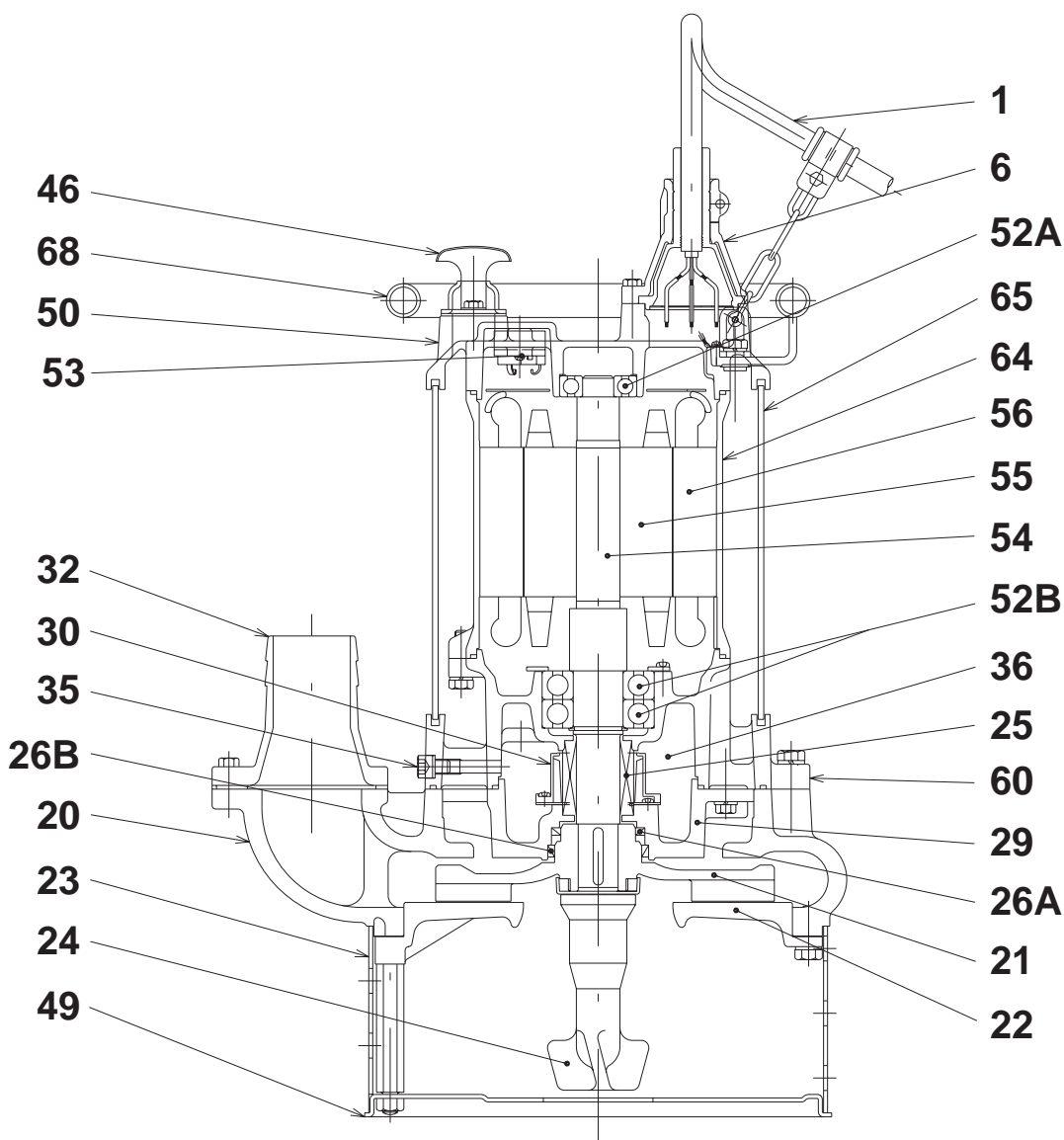
192 kg (dry weight of the pump without cable)

# Dimensional Drawing NKZ3-100H



**NKZ3-100H**

# Sectional Drawing NKZ3-100H



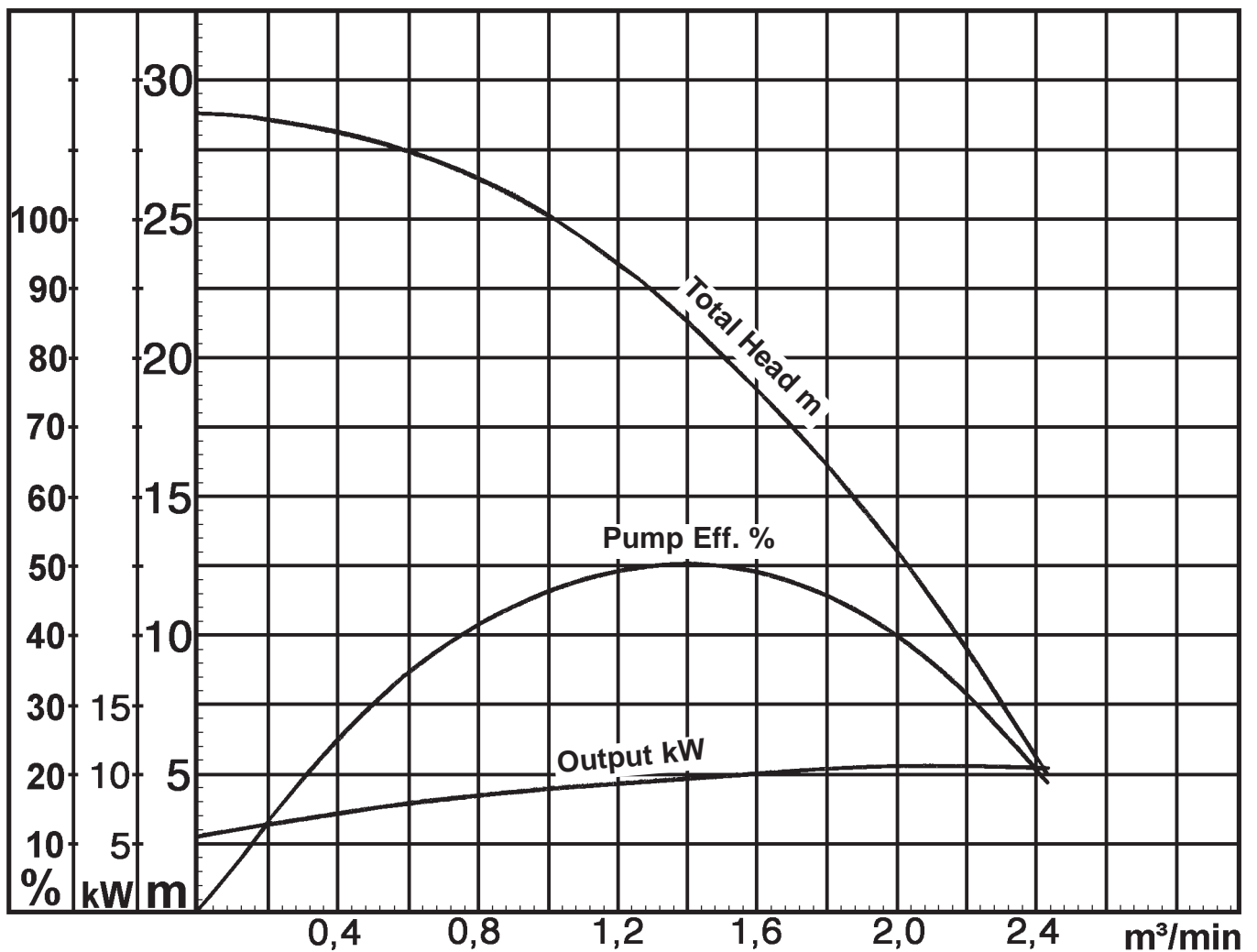
**NKZ3-100H**

No.	Description	Qty.	Remarks	No.	Description	Qty.	Remarks
1	Cabtyre Cable	1	20m H07RN-F 4Cx5,5mm <sup>2</sup>	50	Motor bracket	1	FC150 (EN-GJL-150)
6	Stuffing Box	1	FC200 (EN-GJL-200)	52A	Upper Bearing	1	
20	Pump Casing	1	FC200 (EN-GJL-200)	52B	Lower Bearing	2	
21	Impeller	1	Chromium Iron Casting	53	Motor Protector	1	
22	Suction Cover	1	FCD700 (EN-GJS-700-2)	54	Shaft	1	SUS420J2 (EN X30Cr13)
23	Strainer Stand	1	Steel Plate SPC	55	Rotor	1	
24	Stirrer	1	FCD700 (EN-GJS-700-2)	56	Stator Complete	1	
25	Mechanical Seal	1	H-35	60	Bearing Housing	1	FC150 (EN-GJL-150)
26A	Upper Oil Seal	1	VC-60756	64	Motor Frame	1	FC150 (EN-GJL-150)
26B	Lower Oil Seal	1	DD-71819.5	65	Outer Cover	1	SS400 (DIN 1.0040)
29	Oil Casing	1	FC200 (EN-GJL-200)	68	Handle	1	Galvanized Steel Pipe SGP
32	Hose Coupling	1	FC200 (EN-GJL-200)				
35	Oil Plug	1	SUS304 (EN-X5CrNi18-10)				
36	Lubricant		Turbine Oil (ISO VG32)				

# Pump Performance Curve

## NKZ3-100H

Discharge Bore	100 mm
Total Head	25 m
Capacity	1,0 m <sup>3</sup> /min
Motor Output	11,0 kW
Motor Input	13,2 kW
Phase	3
Voltage	400 V
Frequency	50 Hz
Rated Current	22 A
Starting Current	155 A
Poles	4
Revolution	S.S. 1450 r.p.m.
Starting Method	direct on line
Insulation Class	B



NKZ3-100 (104G965-1)